

MANTA RAY MR20 | THRU HULL

Signature
 SERIES



MANTA RAY MR20 offers formidable performance with the added security of a thru-hull stem fitting.

Machined from Billet AB2 Marine grade Bronze.

Suitable for Transom mounting on all hull types.

Built in driver technology with active thermal rollback.

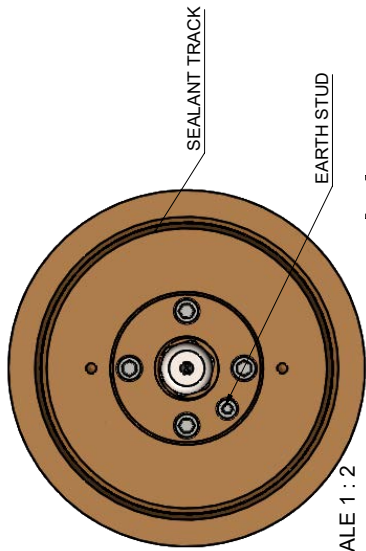
12V version also available with 7000 fixture lumens (price on application).

- RINA Type approval
- 2-Year Warranty

SPECIFICATION	MANTA RAY MR20 SINGLE COLOUR
Mounting Type	Thru Hull
Hole cut out size	30mm
Maximum Lamp Lumens	18000
Fixture Lumens	16000
Max Wattage	122 Watts
Typical Life Expectancy	50,000 Hours
Voltage	24v
Power Draw	5.1 amps
Protection	Over / Under Voltage, Over Current, Reverse Polarity protection, Active thermal protection.
Fixture Profile	32mm
Fixture Diameter	140mm
Lens Type	Optical grade 8mm Borosilicate glass with Guard X coating
Fixture Material	AB2 Bronze
Beam Angle	65 Degree FWHM
Warranty	2 year
Type Approval	RINA IEC 60529
Available Colours	Diamond White 6500k Cobalt Blue
Suitable Use	Below the water-line only
Spacing	1.2 - 2mtr
Driver Type	Integral
Total weight	3.3kg
Attached cable length	2 mtr Over-moulded
Included in box	In-line fuse holder & rated fuse, Gel connector, Inline Crimps, Heat shrink, Fixing Screws, Template and installation instructions
ACCESSORIES	(OPTIONAL)
Junction Box	4 Way IP68 Wiring Junction Box
Delrin Sleeve	Isolating kit for steel, aluminium and carbon fibre hulls
220/110v Power Supply	Power supply 24v
BL-Switch	Panel mount illuminated switch & wiring loom
I.Y.S Lighting Control	Control via MFD screen or mobile device



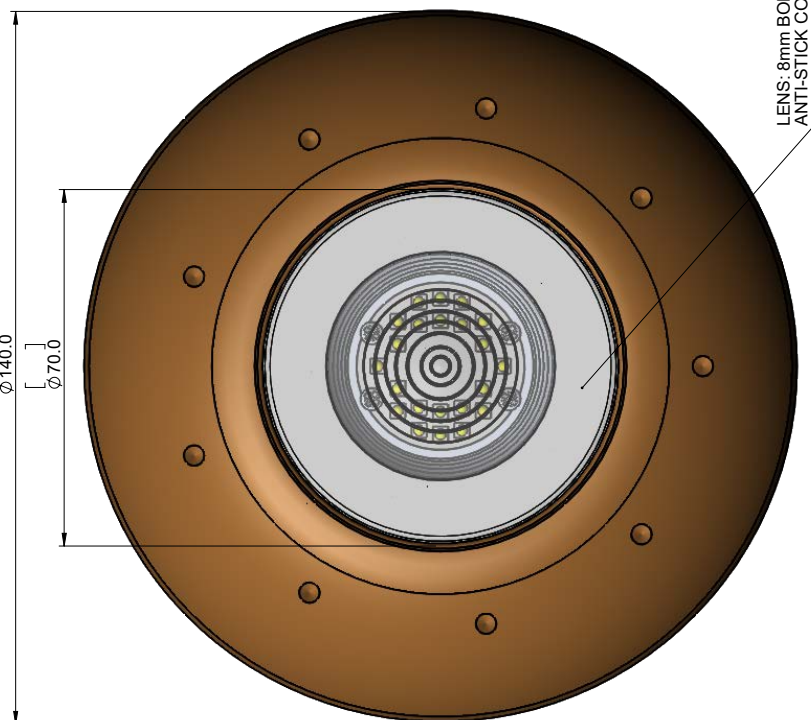
A B C D E F G H I J K



SCALE 1:2

Ø140.0

Ø70.0

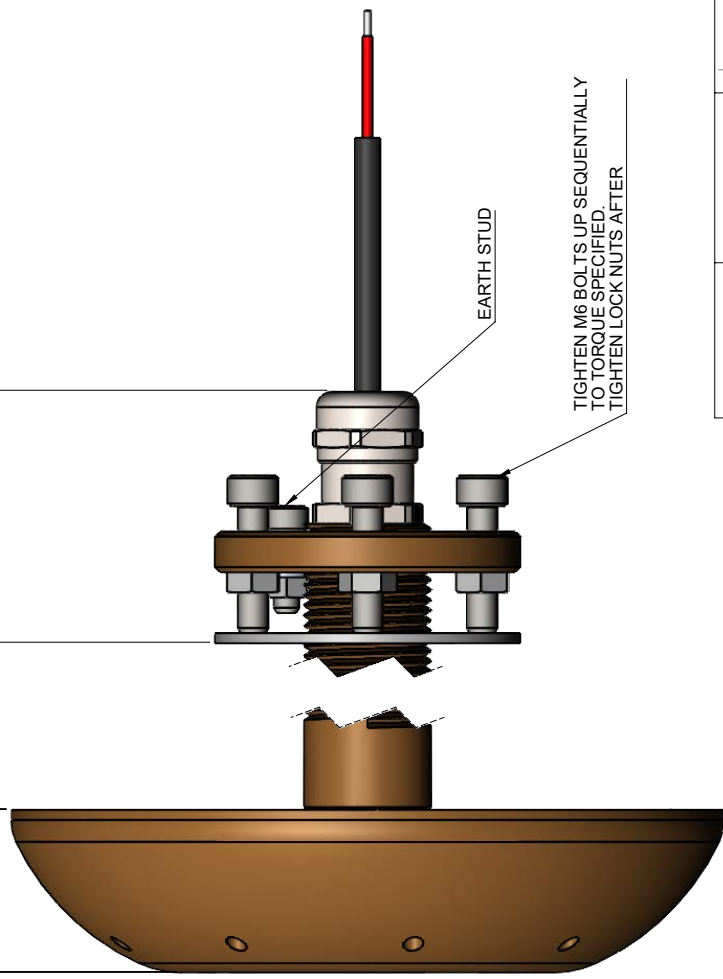


SPECIFICATIONS	
FIXTURE LUMENS	MANTA RAY M20 16000
WATTAGE (MAX)	122
No. OF LEDs	20
I @ 12V	N/A
I @ 24V	5.1
BEAM ANGLE	65 DEG FWHM
LIGHT DIA	140mm (5.5')
LIGHT LENGTH	208.5mm (8.21')
LIGHT HEAD HEIGHT	32mm (1.26')
MOUNTING HOLES PCD	N/A
HULL CUTOUT DIA	30mm (1.18")
LIGHT APERTURE	70mm (2.76")
WEIGHT	3.3kg
LENS	8mm BOROSILICATE WITH ANTI-STICK COATING 8mm BOROSILICATE WITH ANTI-STICK COATING
	4.1kg

32.0

[171.5]

[90.0] MAX HULL THICKNESS



TIGHTEN M6 BOLTS UP SEQUENTIALLY TO TORQUE SPECIFIED. TIGHTEN LOCK NUTS AFTER

SCALE: 1:1 @ A3

THIRD ANGLE PROJECTION

DESCRIPTION: MANTA RAY MR20 / MR48CC THRU HULL

MATERIAL: MARINE AB2 BRONZE & GLASS LENS

FINISH: SEE PART DRAWINGS

DRAWING No: **GAA-0141 Iss B00C**

ISSUE/ REV: **B00 C** STATUS:



THIS DRAWING IS THE PROPERTY OF BLUEFIN LED. IT IS TO BE USED ONLY FOR THE PURPOSES SPECIFIED IN THE TITLE AND MAY NOT BE REPRODUCED, COPIED, OR TRANSMITTED IN ANY FORM OR BY ANY MEANS, ELECTRONIC OR MECHANICAL, WITHOUT THE WRITTEN AUTHORIZATION OF BLUEFIN LED. NO DEVIATION FROM THIS DRAWING IS PERMISSIBLE WITHOUT WRITTEN AUTHORIZATION FROM BLUEFIN LED.