

**MAKO M12 | THRU-HULL INTERCHANGEABLE**

*Signature*  
 SERIES



The ultra compact design of the MAKO M12 Interchangeable Flush Mount offers unrivalled performance producing 7100 Fixture Lumens with almost unlimited mounting options thanks to the low profile bezel and short body design.

Thru Hull mounting provides a safe and secure fixing with the added benefit of a removable LED cartridge that can be serviced or upgraded from inside the hull eliminating the need to haul the boat.

Simple installation thanks to our inbuilt driver technology, just two wires to connect saving time and money in labour fees, reverse polarity protection with active thermal trip.

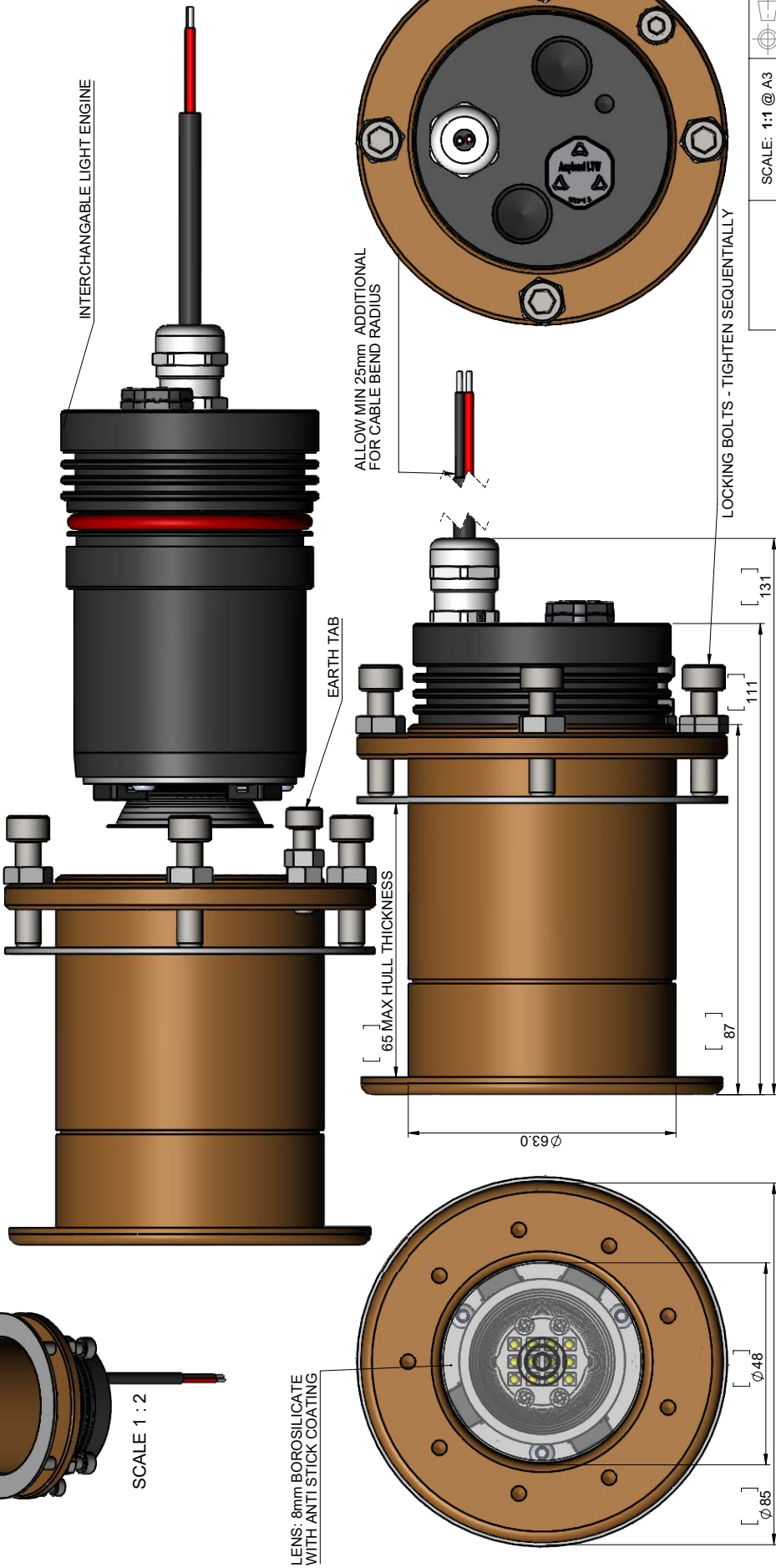
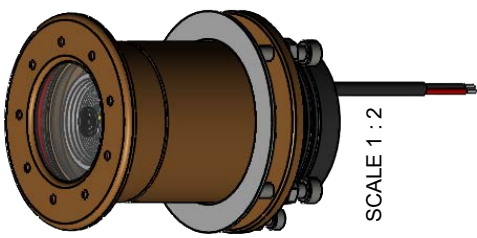
Suitable for transom, side and under hull mounting on all types of hull.

- RINA Type approval
- 2-Year Warranty

SPECIFICATION	MAKO M12 SINGLE COLOUR
Mounting Type	Thru-Hull Interchangeable
Hole cut out size	63mm
Maximum Lamp Lumens	11000
Fixture Lumens	7100
Max Wattage	70 Watts
Typical Life Expectancy	50,000 hours
Voltage	12 or 24v
Power Draw	5.1 Amps @ 12v / 2.6 Amps @ 24v
Protection	Over / Under Voltage, Over Current, Reverse Polarity protection, Thermal protection.
Fixture Profile	4mm
Fixture Diameter	85mm
Lens Type	Optical grade 8mm Borosilicate glass with Guard X coating
Fixture Material	AB2 Bronze with aluminium light engine cartridge
Beam Angle	60 Degree
Warranty	2 year
Type Approval	RINA IEC 60529
Available Colours	Diamond White 6500k Cobalt Blue
Suitable Use	Below the water-line only
Spacing	1.2 - 2mtr
Driver Type	Integral
Total weight	1.5 kg
Attached cable length	2 mtr Over-moulded
Included in box	In-line fuse holder & rated fuse, Gel connector, Inline Crimps, Heat shrink, Fixing Screws, Template and installation instructions
ACCESSORIES	(OPTIONAL)
Junction Box	4 Way IP68 Wiring Junction Box
Delrin Sleeve	Isolating kit for steel, aluminium and carbon fibre hulls
220/110v Power Supply	Power supply 24v
BL-Switch	Panel mount illuminated switch & wiring loom
I.Y.S Lighting Control	Control via MFD screen or mobile device



	A	B	C	D	E	F	G	H	I	J	K	
1	SPECIFICATION											
	M12						M24CC					
	7100						8600					
	70						65					
	5 Amps @ 12V						5 Amps @ 12V					
	2.6 Amps @ 24V						2.6 Amps @ 24V					
	12						24					
	60 DEG FWHM						60 DEG FWHM					
	85mm 3.35"						85mm 3.35"					
	40mm 1.6"						40mm 1.6"					
130mm 5.15"						130mm 5.15"						
N/A						N/A						
63mm 2.48"						63mm 2.48"						
48mm 1.89"						48mm 1.89"						
2.5kg						2.5kg						
8mm BOROSILICATE WITH ANTI-STICK COATING						8mm BOROSILICATE WITH ANTI-STICK COATING						
150mm 5.91"						150mm 5.91"						
SPACE REQD FOR LIGHT ENGINE REMOVAL												



DESCRIPTION: MAKO M12 / M24CC / M24HI THRU HULL		SCALE: 1:1 @ A3	THIRD ANGLE PROJECTION
MATERIAL: MARINE AB2 BRONZE & GLASS LENS, ALUMINIUM INSERT			
FINISH: SEE PART DRAWINGS			
DRAWING NO: GAB-0117 Iss A00C	ISSUE/ REV: STATUS: A00 C		

**Bluefin LED**  
Underwater Lighting

Bluefin LED is a registered trademark of Bluefin LED. All rights reserved. Bluefin LED is not responsible for any damage to property or injury to persons or animals caused by the use of Bluefin LED products. Bluefin LED is not responsible for any damage to property or injury to persons or animals caused by the use of Bluefin LED products. Bluefin LED is not responsible for any damage to property or injury to persons or animals caused by the use of Bluefin LED products.